

MID RANGE UHF INTEGRATED RFID READER IDT 84



Linux



IP 65



Antenna
Auto Tuning



UHF RFID



Low Cost

IDT 84 boasts an entirely proprietary intellectual property foundation. Fueled by an exclusive, high-efficiency DSP algorithm, it empowers swift tag read/write processes with exceptional identification rates. Its compact dimensions (168.9mm×165mm×66mm) make it a perfect fit for applications that demand sleeker, lightweight readers. This versatility extends its utility to various contexts, including logistics, access control, anti-counterfeiting, and refined industrial production processes.

PHYSICAL PARAMETERS

Dimensions 168.9mm×165mm×66mm

Weight 600 g

Power Supply 100-240V, DC+9V (Power Adapter)

Power Consumption 1 W

Interfaces Rs232, RS485, Wiegand 26/34 (TCP/IP & Wi-Fi Optional)

Work Mode Support auto-running, interactive and trigger-activating

Software Support SDK Provided

Housing ABS Plastic

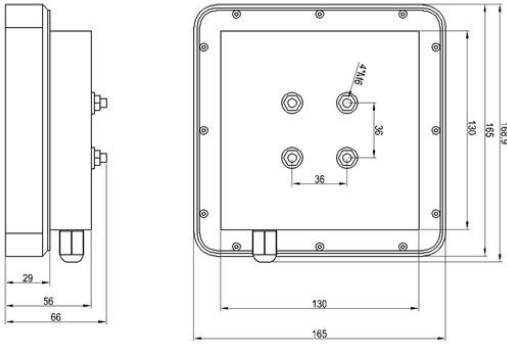
ENVIRONMENTAL SPECIFICATION

Temperature -25°C to +60°C (Operating), -25°C to +80°C (Storage)

Humidity 5% RH - 95% RH non condensing

Protection Class IP 65

DIMENSIONS



UHF RFID

Work Frequency	Standard ISM 865-868 MHz (IND), 865-868 MHz (EU), 902-928 MHz (US)
Air Interface Protocol	ISO18000-6B, EPC Class 1 Gen2 (ISO18000-6C)
Read Range	0 - 6m
Write Range	0 - 1m
Antenna	Built-in 4dBi Circular Polarized Antenna
Operating Mode	Answer, Active, Trigger
Reading Rate	Software Programmable
Power Output	0-33 dBm (adjustable)
Frequency Hopping	FHSS

ORDER INFORMATION

Part Number	IDT.UHF.84.S
	IDT.UHF.84.L

ACCESSORIES



Power
Adapter



Power
Cord



Mounting
Bracket

APPLICATION AREA



Parking Lot
Management



Electronic
Toll Collection



Warehouse
Management



Employee
/ Student
Tracking



Vehicle Access
Management



ID TECH SOLUTIONS PVT. LTD.

610, Udyog Vihar Phase-5, Gurgaon, Haryana - 122016, INDIA | T. : +91-124 - 4255530 (6 Lines)

E.: info@idsolutionsindia.com | W: www.idsolutionsindia.com



The product specifications and descriptions listed in the specification sheet are subject to change anytime without notice.

©2023 ID Tech Solutions Pvt. Ltd. All Rights Reserved.